

CERTIFICATION



HACCP International



ISO9001

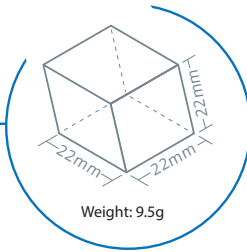
ICE MATE



SRM-125UB ICE MAKER

ICEMATE is committed to bringing high-efficiency / energy-saving, and high quality ice-making product to people who have dreams and desire to create their own business with the best scientific technology and manufacturing technology.

DICE



KEY FEATURES

SAFETY AND HYGIENE ASSURED ICE MACHINE



NSF Certified Material for Bin and Scoop



Detachable Parts for Easy Cleaning



Air Filter Prevent Dust from Entering



Stainless Steel

PERFECT FIT & SPACE SAVING



Compact Design for Under-Counter Installations

EASY MAINTENANCE

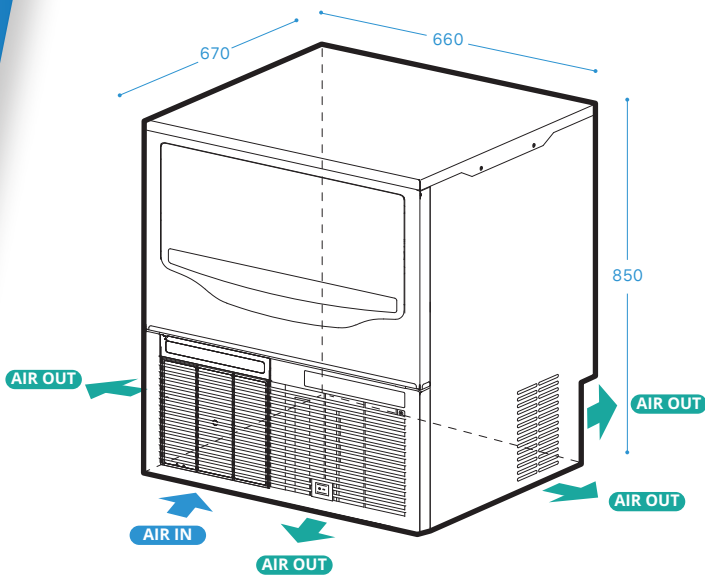


IoT

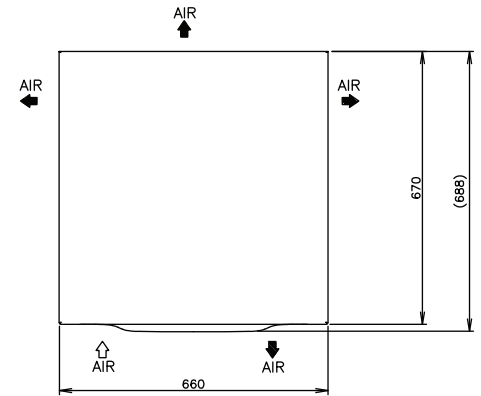


AUTO-CLEANING

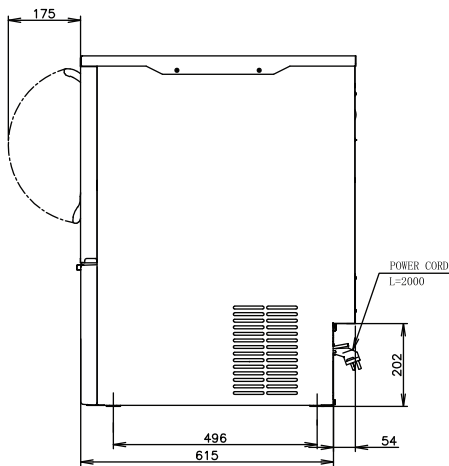




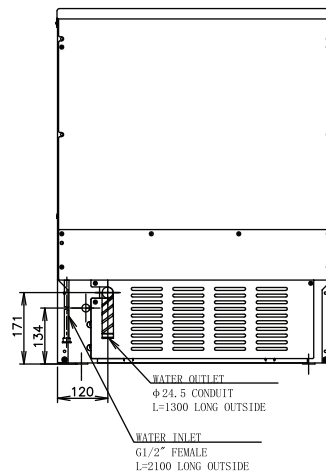
TOP SIDE



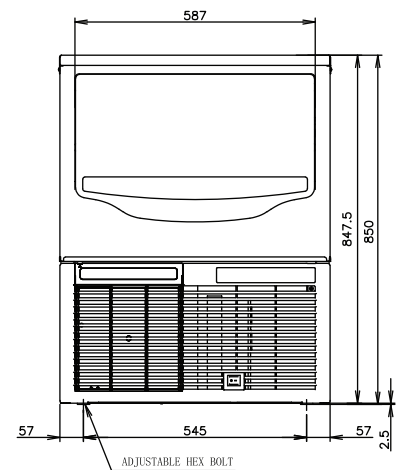
RIGHT SIDE



BACK SIDE



FRONT SIDE



SPECIFICATIONS

Ice Dimensions (W x D x H)	22 x 22 x 22 mm	Water Consumption per 24H	(AT32°C/WT21°C) 0.17m ³ (2.1L / kg Ice)
Outside Dimensions (W x D x H)	660 x 670 x 850 mm	Ice Production Freeze Cycle Time	(AT21°C/WT15°C) 15 min
Package Dimensions (W x D x H)	Carton: 780 x 850 x 1050 mm	Ice Production per Cycle	(AT21°C/WT15°C) Approx. 1.17kg / 126 pcs
Weight (Net / Gross)	58 kg / 75 kg	OPERATING CONDITIONS	
Amperage / Starting Amperage	5.05A / 20.4A	Voltage Range	198 - 254 V
Electrical Consumption	(AT32°C / WT21°C) 590 W	Ambient Temperature	5 - 38°C
Refrigerant Charge	R404A	Water Supply	5 - 32°C
Ice Storage Capacity	Maximum 24kg	Water Supply Pressure	0.07 - 0.55 Mpa (0.7 - 5.5 bar)
Ice Production per 24H	(AT10°C / WT10°C) Approx. 125 kg (AT21°C / WT15°C) Approx. 106 kg (AT32°C / WT21°C) Approx. 81 kg	Supply Voltage	1/220 - 240V / 50Hz



HOSHIZAKI

HOSHIZAKI MALAYSIA SDN. BHD.

No. 12, Jalan Penyajak U1/45B. Hicom-Glenmarie Industrial Park, 40150 Shah Alam, Selangor
TEL (+60) 3 5569 8023 | <https://hoshizaki.com.my/>